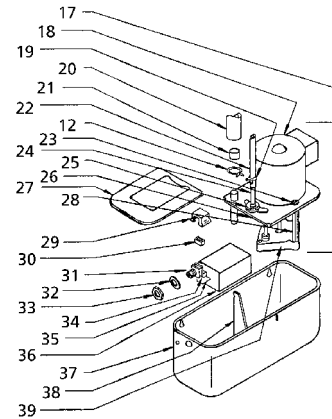
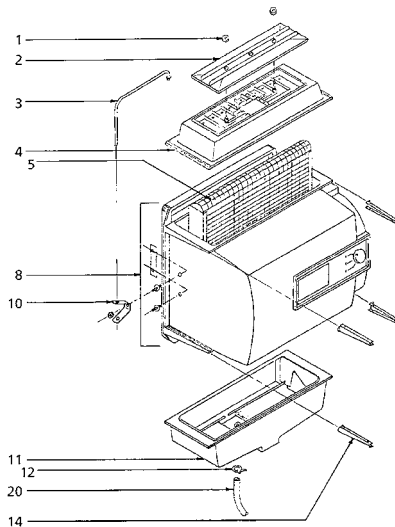
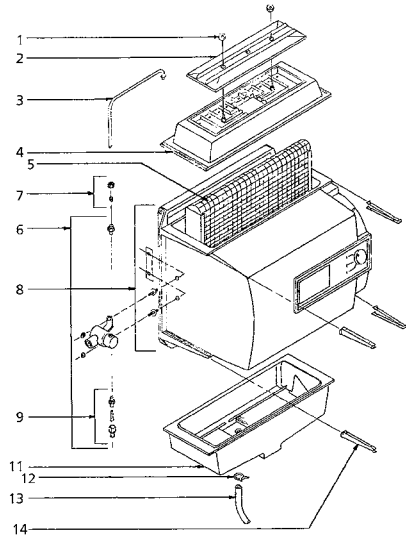


# Models 1099, 1099L, 1099LH and 1099R



Humidifier Replacement Parts

Item	Qty. Req'd	GFI Number	Description of Part	LIST / RETAIL
				PRICE EACH
1	3/4	7043	1099-9 Thumb nut (1099-R :3 req'd.; 1099, 1099-L/LH: 4 req'd)	\$2.00
2	1	7042	1099-8 Distributor trough cover assembly	\$16.66
3	1	7045	1099-12 Distributor tube (1099, 1099-L/LH)	\$14.83
	1	7056	1099-26 Distributor tube (1099-R)	\$16.00
4		7039	1099-2 Distributor trough	\$52.00
5	1	7047	1099-20 Evaporator pad 14 1/4"W x 12"H	\$26.13
6	1	7051	1099-41 Solenoid valve assembly -115V	\$126.32
	1	7052	1099-42 Solenoid valve assembly -24V	\$76.41
7		7158	P103,104,111 Connector & fittings	\$2.50
8	1	7049	1099-24 Cabinet assembly	\$171.50
9		7009	990-37-75 Orifice and strainer assembly (std. water pressure 40 - 120 psi)	\$6.45
		7011	990-37-74 Orifice and strainer assembly (low water pressure 20 - 40 psi)	\$6.45
10	1	6016	975-35 Distributor tube bracket	\$1.66
11	1	7040	1099-3 Drain pan	\$55.33
12	1	7162	P163 Hose clamp (for 1099-16)	\$ .75
13	1	7046	1099-16 Drain tube (15' of 5/8" I.D.)	\$20.00
14	4	7041	1099-7 Slide clip	\$4.00
17		6018	975-45 Pump, motor and lid assembly	\$185.00
18	1	6015	975-33 Pump motor	\$120.00
19	2	6034	P115 Hose clamp (for 975-34)	\$ .50
20		7348	1137-48 Drain tube (2-1/2' of 5/8" I.D.)	\$4.50
21	1	7055	1099-43 Drain tube adapter	\$.82
22		6019	975-34 Water supply tubing (4' of 5/16" I.D., R model only)	\$3.66
23	3	6033	P120 Motor mount grommet	\$.95

Item	Qty. Req'd	GFI Number	Description of Part	LIST / RETAIL
				PRICE EACH
24	1	6014	975-29 Standpipe	\$14.66
25	1	6035	P116 Standpipe nut	\$ .75
26	1	6010	975-16 R.H. lid assembly	\$18.33
27	1	6009	975-13 L.H. lid assembly	\$8.50
28	1	6017	975-41 Pump mounting stud	\$6.00
29	1	6007	975-10 Float valve assembly	\$24.20
		6005	975-6 Valve shield	\$ .99
30	1	6004	975-1 Valve seat	\$ .50
31	1	7122	727-24 Orifice fitting	\$6.50
32	1	6036	P117 Orifice washer	\$ .40
33	1	6001	975-3 Orifice nut	\$ .75
34	1	6026	P118 Cotter pin	\$ .95
35	1	7121	727-34 Float arm	\$5.00
36	1	7119	727-32 Float block	\$8.50
37		6008	975-48 Reservoir and baffle assembly	\$74.00
38	1	6020	975-12 Reservoir baffle	\$2.00
39	1	6011	975-17 Pump housing - bottom	\$1.50
	1	6012	975-18 Pump housing - top	\$1.50
	1	6013	975-49 Impeller and impeller screw	\$2.00
<b>PARTS NOT SHOWN</b>				
	1	7048	1099-23 7" stub collar	\$6.83
	1	8022	800-UST Self-tapping saddle valve kit	\$11.00
	1	7118	727-58 24V transformer (1040-L/LH)	\$22.00
	1	7044	1099-39 Parts bag	\$28.00
	1	7005	990-17 Strainer	\$ .66
	1	7160	P111 Connector only	\$1.83
	1	7015	M3 Humidistat (LH only)	\$42.00
		8035	8035 Humidex tablets	\$12.00

2% 10th Prox. Net 30 Days. F.O.B. Novi, Michigan

General Filters Inc. 43800 Grand River Novi, Michigan 48375-1115 Toll Free (866) 476-5101 Fax (248) 349-2366  
www.GeneralAire.com