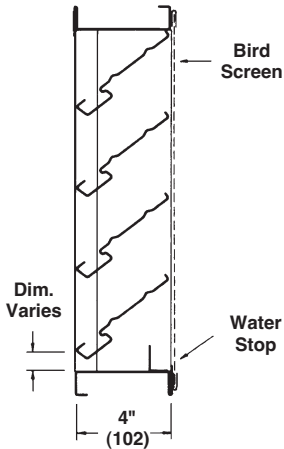
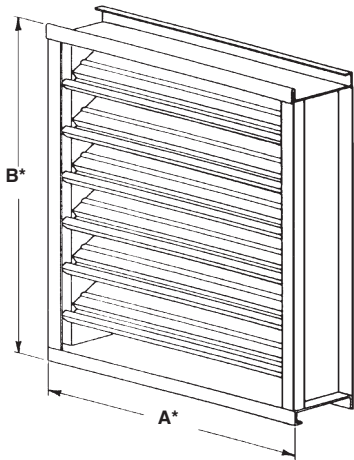




## 4375FD HIGH PERFORMANCE STATIONARY LOUVER DRAINABLE BLADE ROLL FORMED STEEL



### STANDARD CONSTRUCTION

**FRAME**

4" (102) deep, 18 (1.3) gage galvanized steel.

**BLADES**

18 (1.3) gage galvanized steel. Drainable blades are positioned at 37<sup>1</sup>/<sub>2</sub>° angle and spaced approximately 3<sup>1</sup>/<sub>2</sub>" (89) center to center.

**SCREEN**

1/2" mesh x 19 (1.1) gage galvanized bird screen in removable frame. Screen adds approximately 1/2" (13) to louver depth.

**FINISH**

Mill.

**MINIMUM SIZE**

12"w x 12"h (305 x 305).

**APPROXIMATE SHIPPING WEIGHT**

7 lbs. per sq. ft

**MAXIMUM FACTORY ASSEMBLY SIZE**

120"w x 90"h (3048 x 2286) or 90"w x 120"h (2286 x 3048)

Louvers larger than the maximum factory assembly size will require field assembly of smaller sections.

### FEATURES

The 4375FD offers:

- Published performance ratings based on testing in accordance with AMCA Publication 511.
- High free area, low pressure drop, low water penetration.
- Drain gutters in each blade and downspouts in jambs and mullions to drain water from louver for minimum water cascade from blade to blade.
- Architecturally styled hidden mullions allowing continuous line appearance up to 120".
- Economical galvanized steel construction.

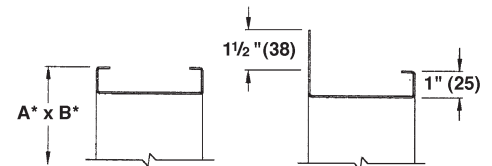
### VARIATIONS

Variations to the basic design of this louver are available at additional cost. They include:

- Extended sill.
- Hinged frame.
- Front or rear security bars.
- Filter racks.
- A variety of bird and insect screens.
- Selection of finishes: baked enamel (modified fluoropolymer), epoxy, Kynar, Acrodize and prime coat.

Consult Reliable for other special requirements.

### FRAME CONSTRUCTION



STANDARD

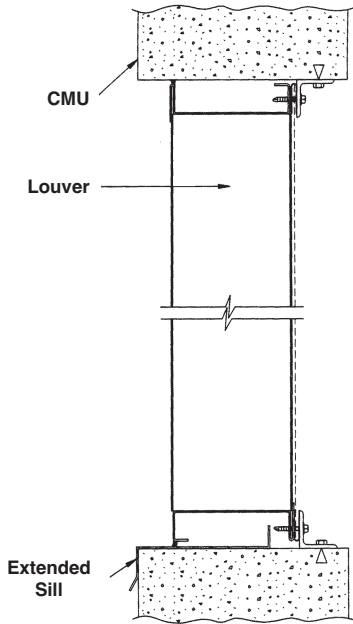
FLANGE

Dimensions in inches, parenthesis ( ) indicate millimeters.

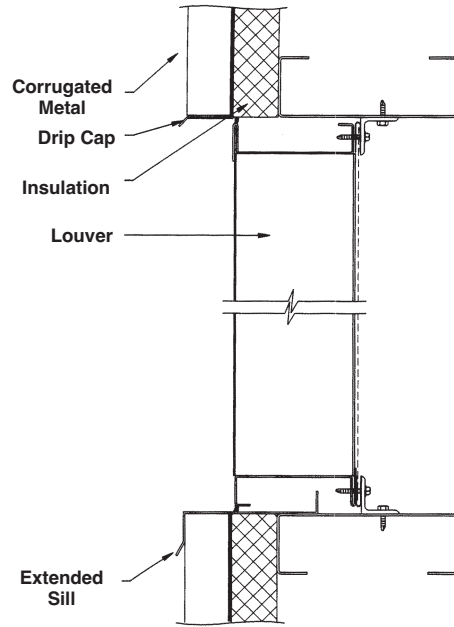
\*Units furnished 1/4" (6) smaller than given opening dimensions.

TAG	QTY.	SIZE		FRAME	VARIATIONS
		A*-WIDE	B*-HIGH		
PROJECT ARCH./ENGR. REPRESENTATIVE		WebREPS 1-800-810-3280		LOCATION CONTRACTOR DATE	

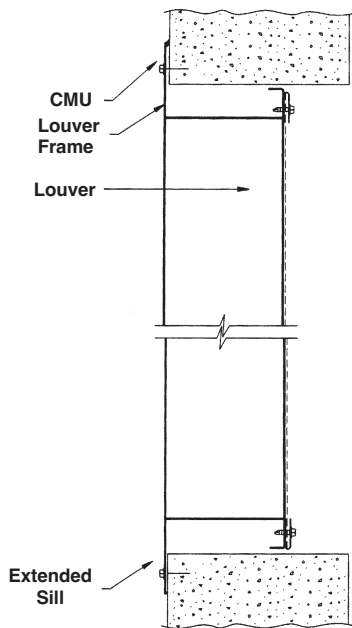
**Masonry Wall**



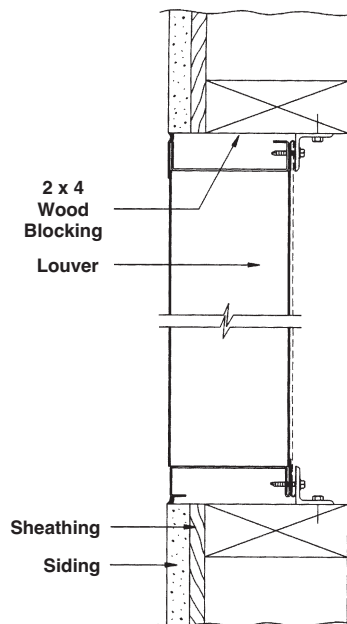
**Metal Panel Wall**



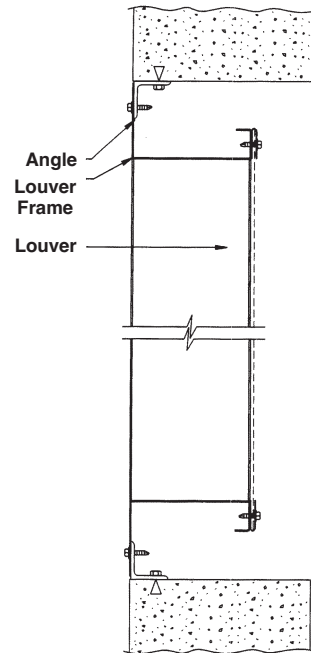
**Flange Mount**



**Wood Installation**

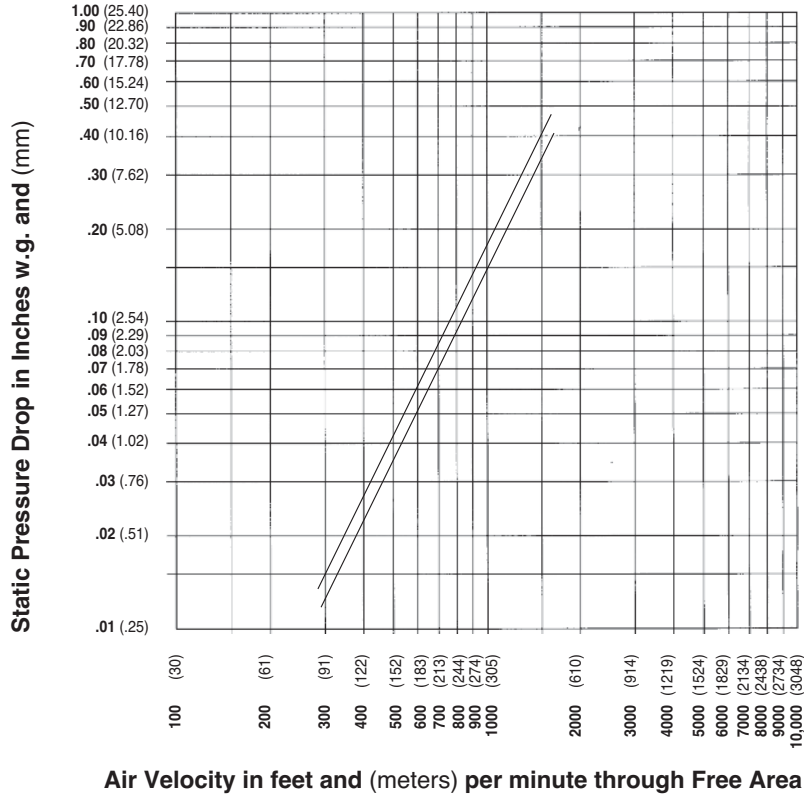


**Angle Subframe**



\*Accessories at additional cost.

**PRESSURE DROP**

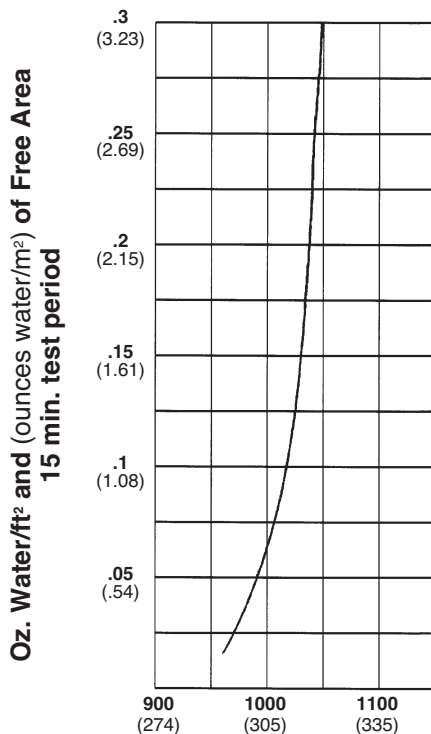


Ratings do not include the effect of a bird screen.

**WATER PENETRATION GRAPH**

Test size 48" x 48"

Beginning point of water penetration at .01 oz./sq. ft. is 961 fpm (274 m/min).



Reliable Products certifies that the 4375FD Louvers shown herein are licensed to bear the AMCA Seal. The ratings shown are based on tests and procedures performed in accordance with AMCA Publication 511 and comply with the requirements of the AMCA Certified Ratings Program. The AMCA Certified Ratings Seal applies to air performance ratings and water penetration ratings only.

# SUGGESTED SPECIFICATION

Furnish and install louvers as hereinafter specified where shown on plans or as described in schedules. Louvers shall be stationary drainable type entirely contained within a 4" (102) frame. Louvers shall include a drain gutter in each blade and downspouts in jambs and mullions. Louver components (heads, jambs, sills, blades, and mullions) shall be factory assembled by the louver manufacturer. Louver sizes too large for shipping shall be built up by the contractor from factory assembled louver sections to provide overall sizes required. Louver design shall limit span between visible mullion to 10 (3) feet and shall incorporate structural supports required to withstand a wind load of 20 lbs. per sq. ft. (.96kPa) equivalent of a 90 mph wind - specifier may substitute any loading required).

Louvers shall be Reliable Model 4375FD construction as follows:  
 Frame: 18 gage (1.3) galvanized steel.  
 Blades: 18 gage (1.3) galvanized steel at 37½° angle on approximate 3½" (89) centers.  
 Screen: 19 gage (1.1) galvanized ½" (13) mesh screen.  
 Finish: Select finish specification from Ruskin Finishes Brochure.

Published louver performance data bearing the AMCA Certified Ratings Seal for Air Performance & Water Penetration must be submitted for approval prior to fabrication and must demonstrate pressure drop and water penetration equal to or less than the Reliable model specified.

## PERFORMANCE DATA

AMCA Standard 500 provides a reasonable basis for testing and rating louvers. Testing to AMCA 500 is performed under a certain set of laboratory conditions. This does not guarantee that other conditions will not occur in the actual environment where louvers must operate.

The louver system should be designed with a reasonable safety factor for louver performance. To ensure protection from water carry-over, design with a performance level somewhat below maximum desired pressure drop and .01 oz./sq. ft. of water penetration.

## FREE AREA GUIDE

Free Area Guide shows free area in ft² and m² for various sizes of 4375FD.  
Width – Inches and Meters

Height – Inches and Meters	12		18		24		30		36		42		48		54		60		66		72		78		84		90		96		102		108		114		120					
	0.30	0.46	0.61	0.76	0.91	1.07	1.22	1.37	1.52	1.68	1.83	1.98	2.13	2.29	2.44	2.59	2.74	2.90	3.05	3.21	3.36	3.51	3.67	3.82	3.97	4.12	4.28	4.43	4.58	4.73	4.89	5.04	5.19	5.34	5.49	5.64	5.79					
12	0.30	0.03	0.05	0.07	0.09	0.11	0.13	0.15	0.17	0.19	0.21	0.23	0.25	0.27	0.29	0.31	0.33	0.34	0.36	0.38	0.40	0.42	0.44	0.46	0.48	0.50	0.52	0.54	0.56	0.58	0.60	0.62	0.64	0.66	0.68	0.70	0.72	0.74	0.76			
18	0.46	0.05	0.09	0.12	0.15	0.18	0.21	0.25	0.28	0.31	0.35	0.37	0.41	0.44	0.47	0.50	0.53	0.56	0.59	0.62	0.65	0.68	0.71	0.74	0.77	0.80	0.83	0.86	0.89	0.92	0.95	0.98	1.01	1.04	1.07	1.10	1.13	1.16	1.19	1.22		
24	0.61	0.07	0.12	0.16	0.21	0.25	0.30	0.34	0.39	0.43	0.47	0.52	0.56	0.61	0.65	0.70	0.74	0.79	0.83	0.88	0.92	0.96	1.00	1.04	1.08	1.12	1.16	1.20	1.24	1.28	1.32	1.36	1.40	1.44	1.48	1.52	1.56	1.60	1.64	1.68	1.72	
30	0.76	0.09	0.15	0.21	0.27	0.32	0.38	0.44	0.49	0.55	0.61	0.66	0.72	0.78	0.84	0.89	0.95	1.01	1.06	1.11	1.16	1.21	1.26	1.31	1.36	1.41	1.46	1.51	1.56	1.61	1.66	1.71	1.76	1.81	1.86	1.91	1.96	2.01	2.06	2.11	2.16	
36	0.91	0.12	0.20	0.27	0.35	0.42	0.50	0.57	0.65	0.72	0.80	0.87	0.95	1.02	1.10	1.17	1.25	1.32	1.40	1.47	1.55	1.62	1.70	1.77	1.85	1.92	2.00	2.07	2.15	2.22	2.30	2.37	2.45	2.52	2.60	2.67	2.75	2.82	2.90	2.97	3.05	3.12
42	1.07	0.15	0.23	0.32	0.41	0.49	0.58	0.67	0.76	0.84	0.93	1.02	1.11	1.19	1.28	1.37	1.46	1.54	1.63	1.71	1.80	1.88	1.97	2.05	2.14	2.22	2.30	2.38	2.46	2.54	2.62	2.70	2.78	2.86	2.94	3.02	3.10	3.18	3.26	3.34	3.42	3.50
48	1.22	0.17	0.27	0.37	0.47	0.57	0.67	0.76	0.87	0.96	1.06	1.16	1.26	1.36	1.46	1.56	1.66	1.76	1.86	1.96	2.05	2.15	2.24	2.34	2.43	2.53	2.62	2.71	2.80	2.89	2.98	3.07	3.16	3.25	3.34	3.43	3.52	3.61	3.70	3.79	3.88	3.97
54	1.37	0.19	0.30	0.41	0.52	0.64	0.75	0.86	0.97	1.09	1.20	1.31	1.42	1.53	1.65	1.76	1.87	1.98	2.09	2.20	2.30	2.40	2.50	2.60	2.70	2.80	2.90	3.00	3.10	3.20	3.30	3.40	3.50	3.60	3.70	3.80	3.90	4.00	4.10	4.20	4.30	4.40
60	1.52	0.21	0.33	0.46	0.58	0.71	0.83	0.96	1.08	1.21	1.33	1.46	1.58	1.71	1.83	1.96	2.08	2.20	2.32	2.44	2.56	2.68	2.80	2.92	3.04	3.16	3.28	3.40	3.52	3.64	3.76	3.88	4.00	4.12	4.24	4.36	4.48	4.60	4.72	4.84	4.96	5.08
66	1.68	0.24	0.38	0.52	0.67	0.81	0.95	1.09	1.24	1.38	1.52	1.66	1.81	1.95	2.09	2.23	2.38	2.52	2.66	2.80	2.94	3.08	3.22	3.36	3.50	3.64	3.78	3.92	4.06	4.20	4.34	4.48	4.62	4.76	4.90	5.04	5.18	5.32	5.46	5.60	5.74	5.88
72	1.83	0.26	0.41	0.57	0.72	0.88	1.03	1.19	1.34	1.50	1.65	1.81	1.96	2.12	2.27	2.43	2.59	2.74	2.90	3.05	3.20	3.35	3.50	3.65	3.80	3.95	4.10	4.25	4.40	4.55	4.70	4.85	5.00	5.15	5.30	5.45	5.60	5.75	5.90	6.05	6.20	6.35
78	1.98	0.28	0.45	0.61	0.78	0.95	1.12	1.29	1.45	1.62	1.79	1.96	2.12	2.29	2.46	2.63	2.79	2.96	3.13	3.30	3.47	3.64	3.81	3.98	4.15	4.32	4.49	4.66	4.83	5.00	5.17	5.34	5.51	5.68	5.85	6.02	6.19	6.36	6.53	6.70	6.87	7.04
84	2.13	0.30	0.48	0.66	0.84	1.02	1.20	1.00	1.56	1.74	1.92	2.10	2.28	2.46	2.64	2.82	3.00	3.18	3.36	3.54	3.72	3.90	4.08	4.26	4.44	4.62	4.80	4.98	5.16	5.34	5.52	5.70	5.88	6.06	6.24	6.42	6.60	6.78	6.96	7.14	7.32	7.50
90	2.29	0.33	0.53	0.73	0.92	1.12	1.32	1.52	1.72	1.91	2.11	2.31	2.51	2.71	2.90	3.10	3.30	3.50	3.69	3.89	4.08	4.27	4.46	4.65	4.84	5.03	5.22	5.41	5.60	5.79	5.98	6.17	6.36	6.55	6.74	6.93	7.12	7.31	7.50	7.69	7.88	8.07
96	2.44	0.35	0.56	0.77	0.98	1.19	1.40	1.61	1.82	2.03	2.24	2.46	2.67	2.88	3.09	3.30	3.51	3.72	3.93	4.14	4.35	4.56	4.77	4.98	5.19	5.40	5.61	5.82	6.03	6.24	6.45	6.66	6.87	7.08	7.29	7.50	7.71	7.92	8.13	8.34	8.55	8.76
102	2.59	0.37	0.59	0.82	1.04	1.26	1.49	1.71	1.93	2.16	2.38	2.60	2.82	3.05	3.27	3.49	3.72	3.94	4.16	4.38	4.60	4.82	5.04	5.26	5.48	5.70	5.92	6.14	6.36	6.58	6.80	7.02	7.24	7.46	7.68	7.90	8.12	8.34	8.56	8.78	9.00	9.22
108	2.74	0.39	0.63	0.86	1.10	1.33	1.57	1.80	2.04	2.28	2.51	2.75	2.98	3.22	3.45	3.69	3.92	4.16	4.39	4.63	4.86	5.09	5.32	5.55	5.78	6.01	6.24	6.47	6.70	6.93	7.16	7.39	7.62	7.85	8.08	8.31	8.54	8.77	9.00	9.23	9.46	9.69
114	2.90	0.42	0.68	0.93	1.18	1.43	1.69	1.94	2.20	2.45	2.70	2.95	3.21	3.46	3.71	3.97	4.22	4.47	4.73	4.98	5.23	5.48	5.73	5.98	6.23	6.48	6.73	6.98	7.23	7.48	7.73	7.98	8.23	8.48	8.73	8.98	9.23	9.48	9.73	9.98	10.23	10.48
120	3.05	0.44	0.71	0.97	1.24	1.51	1.77	2.04	2.30	2.57	2.83	3.10	3.37	3.63	3.90	4.16	4.43	4.69	4.96	5.23	5.49	5.75	6.01	6.27	6.53	6.79	7.05	7.31	7.57	7.83	8.09	8.35	8.61	8.87	9.13	9.39	9.65	9.91	10.17	10.43	10.69	10.95

Width – Inches and Meters