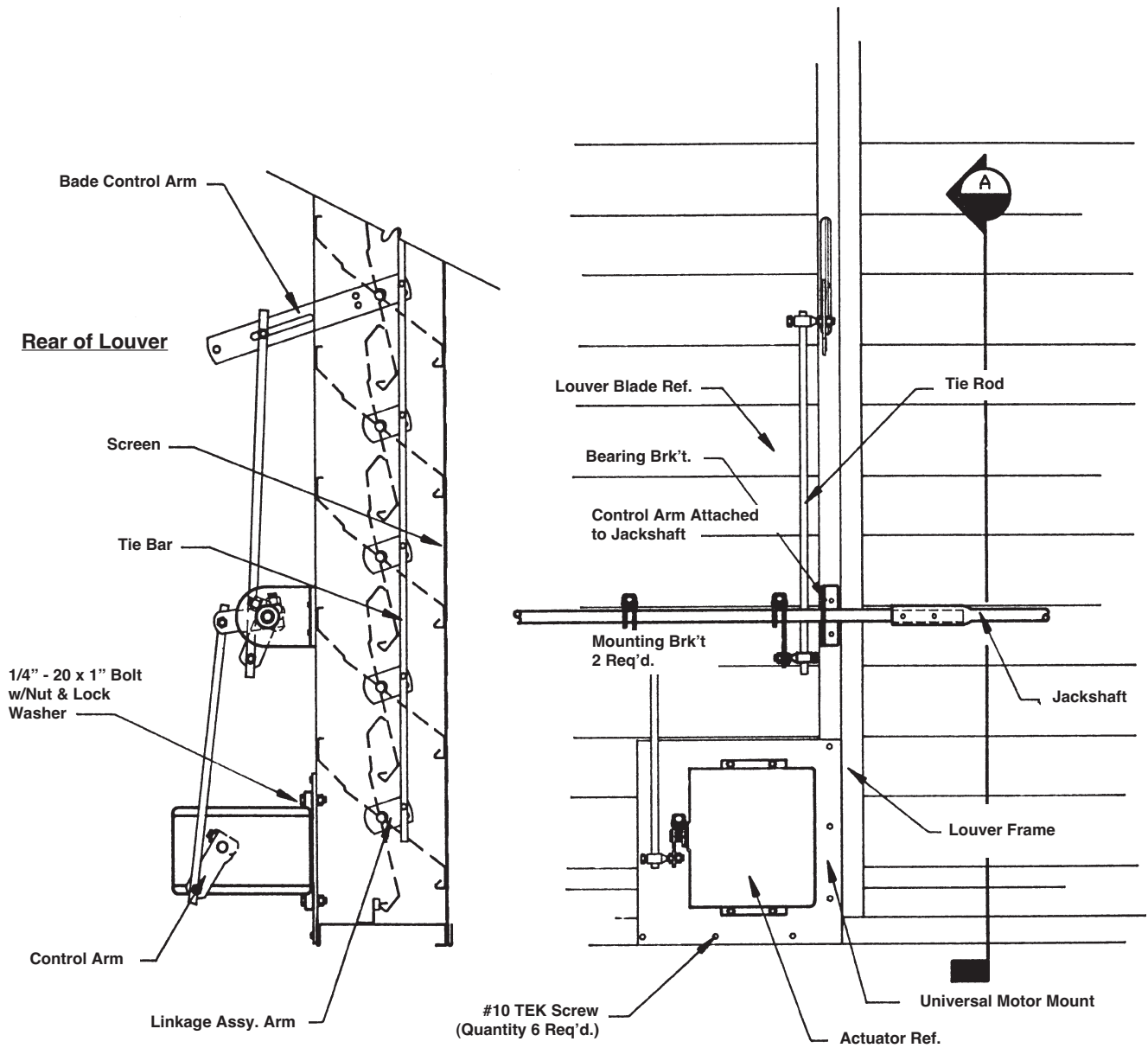


## MOVABLE LOUVER DETAILS

### ELECTRIC OPERATOR (MA418 Actuator shown)

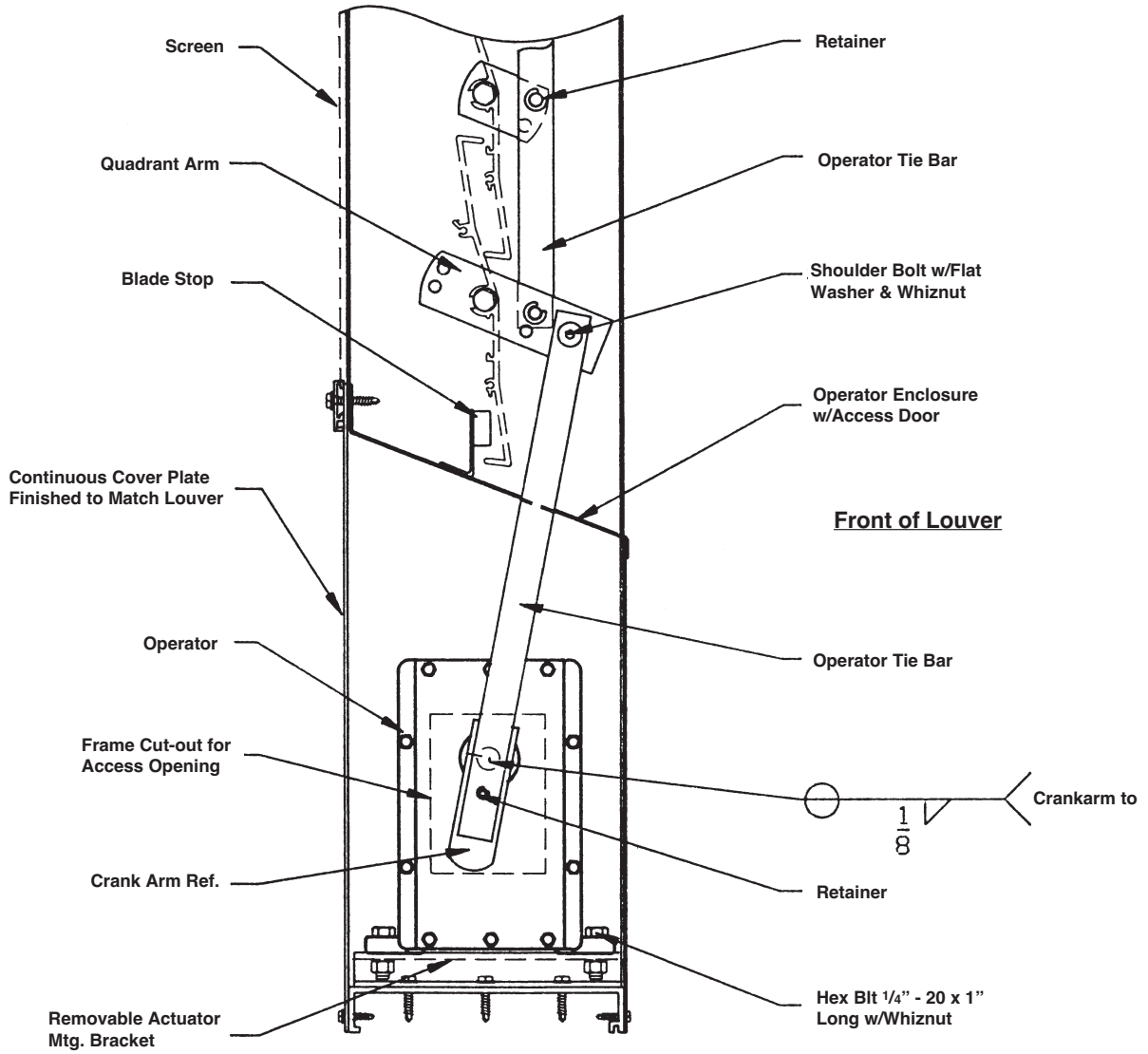


**A** SECTION THRU  
N.T.S. SECTION

PARTIAL REAR ELEVATION  
N.T.S. ELEVATION

DWG. NO.  
60-020685-00A

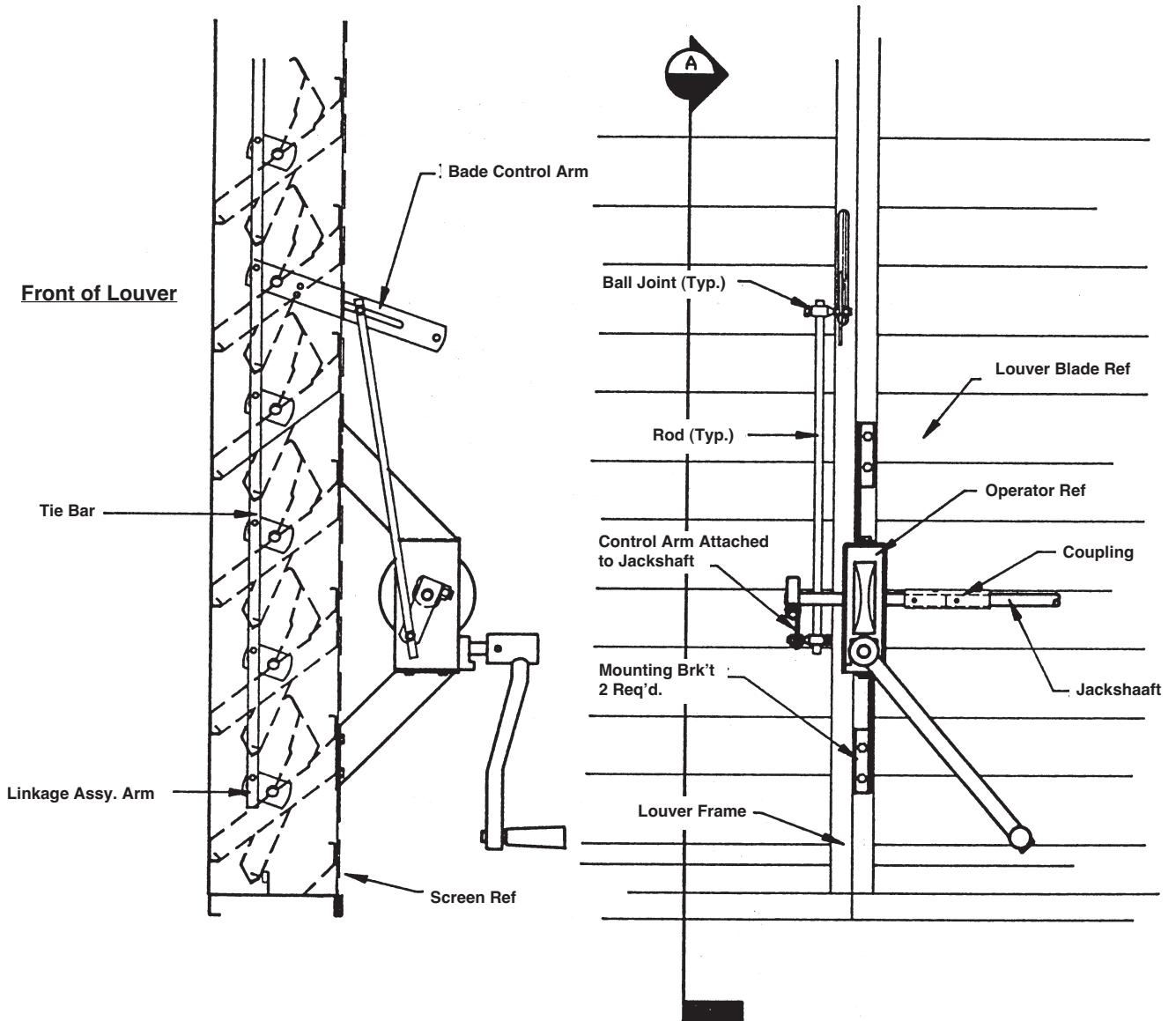
**CONCEALED MOTOR**  
 (MA418 Actuator shown)



DWG. NO.  
 60-020686-00A

## MOVABLE LOUVER DETAILS

### WORMGEAR OPERATOR

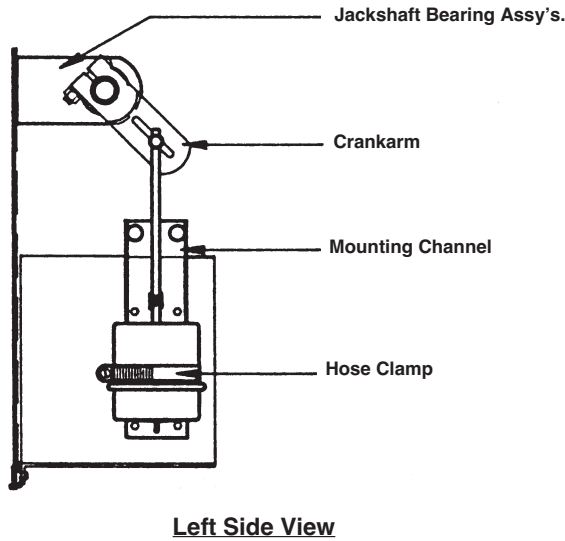
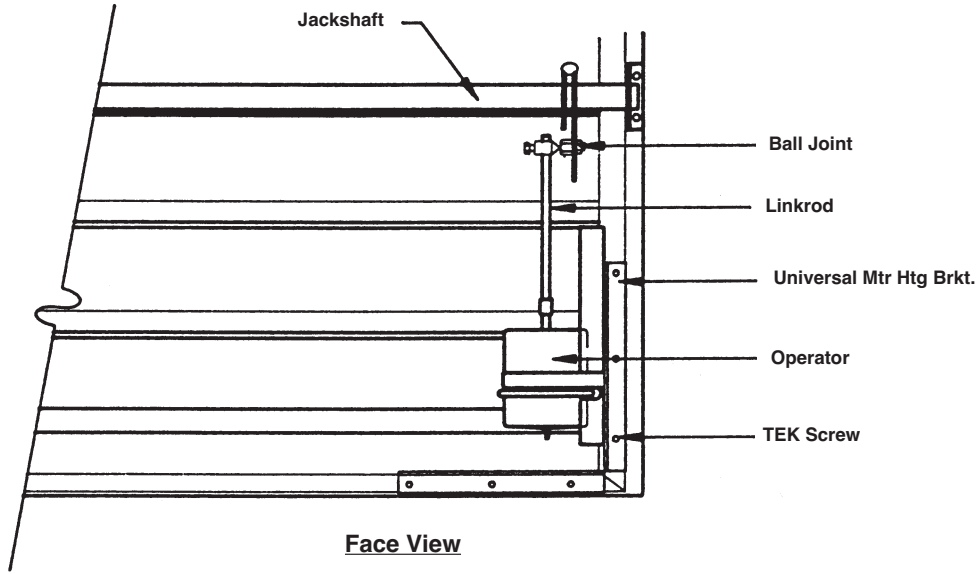


**A** SECTION THRU  
N.T.S. SECTION

PARTIAL REAR ELEVATION  
N.T.S. ELEVATION

DWG. NO.  
60-020687-00A

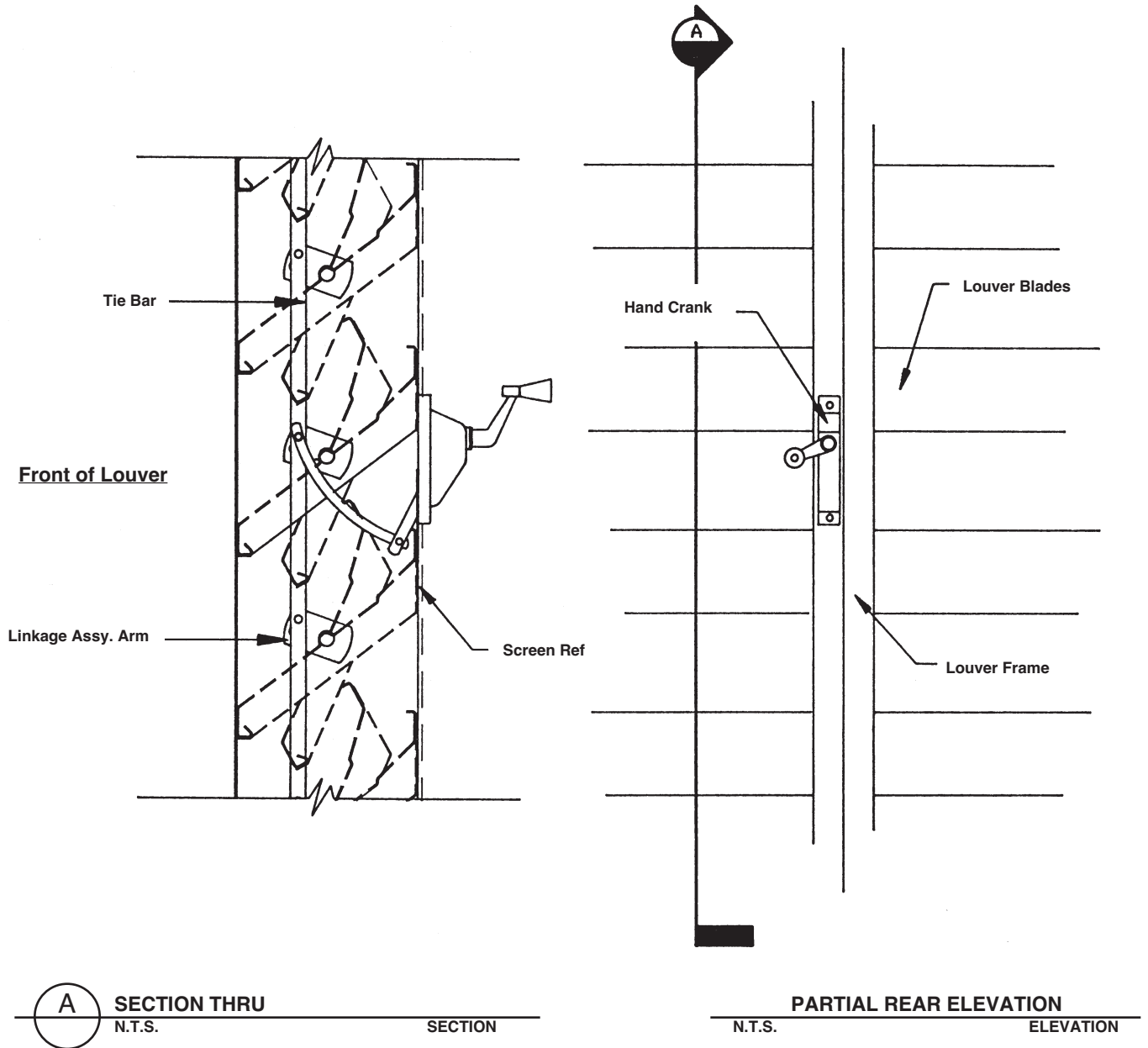
# PNEUMATIC OPERATOR



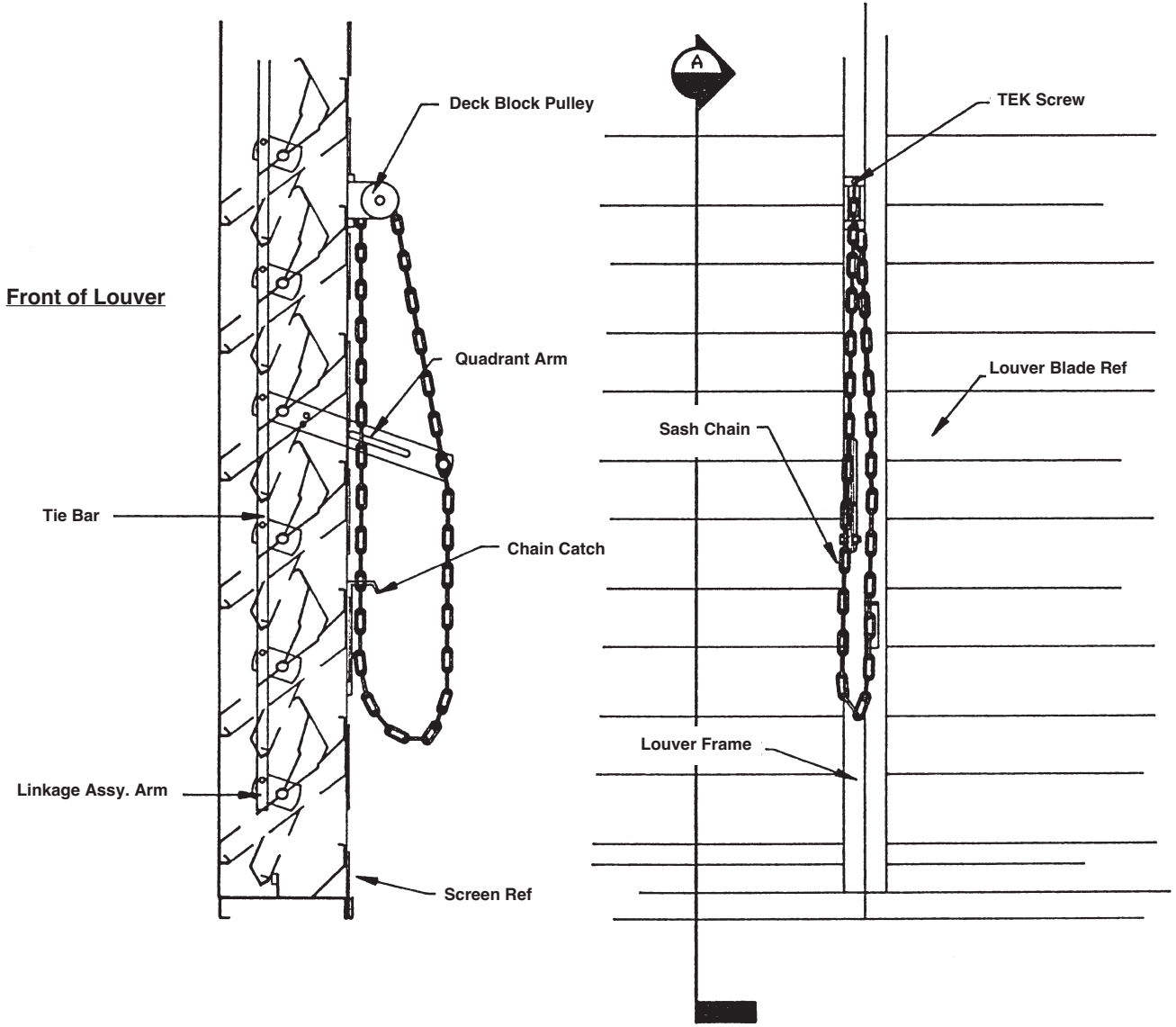
DWG. NO.  
60-020688-00A

## MOVABLE LOUVER DETAILS

### SMALL HAND CRANK OPERATOR



DWG. NO.  
60-020689-00A



**A** SECTION THRU  
 N.T.S. SECTION

PARTIAL REAR ELEVATION  
 N.T.S. ELEVATION

DWG. NO.  
 60-020690-00A