



# FIRE DAMPER

**MODEL:**  
**75DV/DH (1-1/2 HR rating)**



**APPLICATION**

The model 75D is a Lloyd Industries' fire damper. It is approved for use in walls, floors, and partitions with fire resistance ratings less than 1-1/2 hours. This model carries a 1-1/2 hour UL fire damper label.

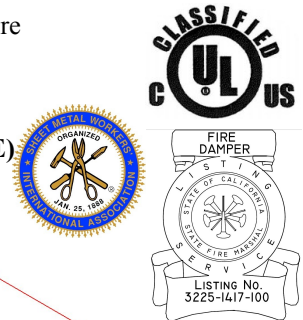
**RATING:**

**UL CLASSIFIED:** UL 555 Fire Resistance Rating  
Fire resistance rated 1-1/2 Hours  
Partitions materials rated 2 Hours or less

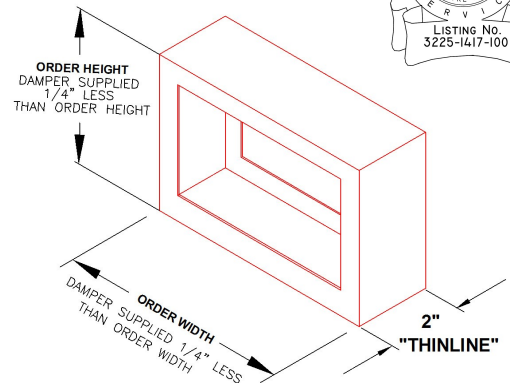
**Standard Construction**

- Frame: 22 ga. Galvanized Steel
- Blade: 22 ga. Galvanized Steel
- Closure Spring: Stainless Steel
- Fusible Link: 165°F
- Mounting: Horizontal or Vertical

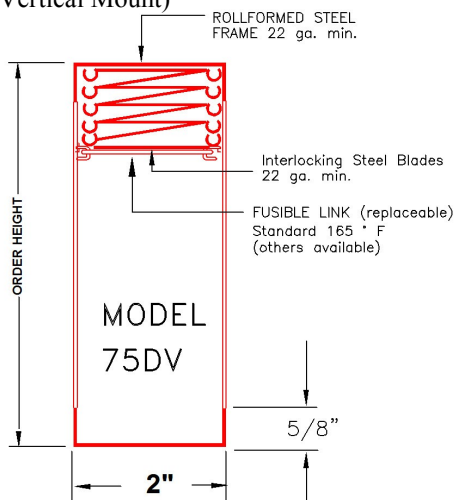
Model 75D meets the requirements for fire dampers established by:  
**CSFM California State Fire Marshal**  
**Fire Damper Listing (#3225-1417:102)**  
**New York City (MEA listing #215-99-E)**



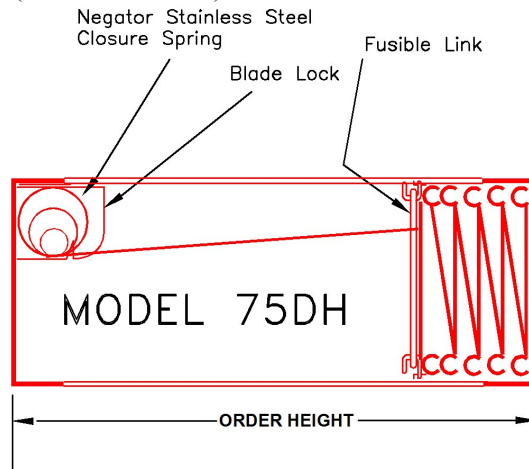
	Single Section	
	Minimum Size (WxH)	Maximum Size (WxH)
Vertical	4"x4"	48"x49"
Horizontal	4"x4"	41"x36"



Model: 75DV  
(Vertical Mount)



Model: 75DH  
(Horizontal Mount)



Note:  
\*Please see "B" PAN Sizing Chart for the "B" PAN Height.  
Damper supplied 1/4" less than order Width and Height.

