



FIRE DAMPER

MODEL:
75BH& 75BV (1-1/2 HR rating)



APPLICATION

The model 75B is a Lloyd Industries' out of stream fire damper. It is approved for use in walls, floors, and partitions with fire resistance ratings less than 2 hours. This model carries a 1-1/2 hour UL fire damper label.

RATING:

UL CLASSIFIED: UL 555 Fire Resistance Rating
Fire resistance rated 1-1/2 Hours
Partitions materials rated 2 Hours or less

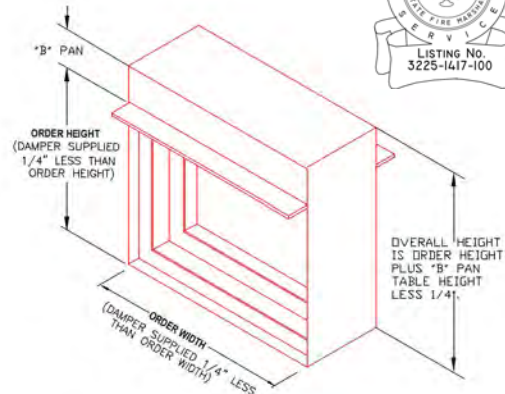
Standard Construction

- Frame: 22 ga. Galvanized Steel
- Blade: 22 ga. Galvanized Steel
- Closure Spring: Negator Stainless Steel
- Fusible Link: 165°F
- Mounting: Horizontal or Vertical

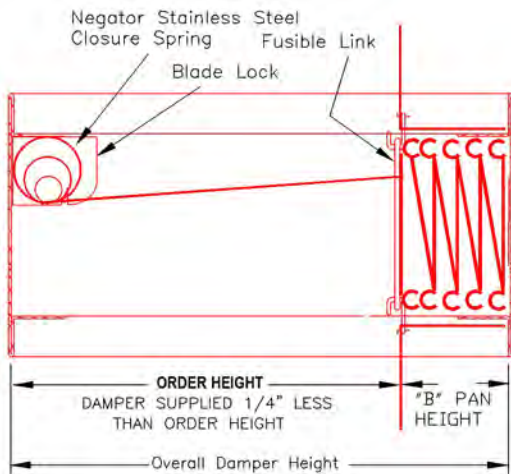
Model 75B meets the requirements for fire dampers established by:
CSFM California State Fire Marshal
Fire Damper Listing (#3225-1417:102)
New York City (MEA listing #215-99-E)



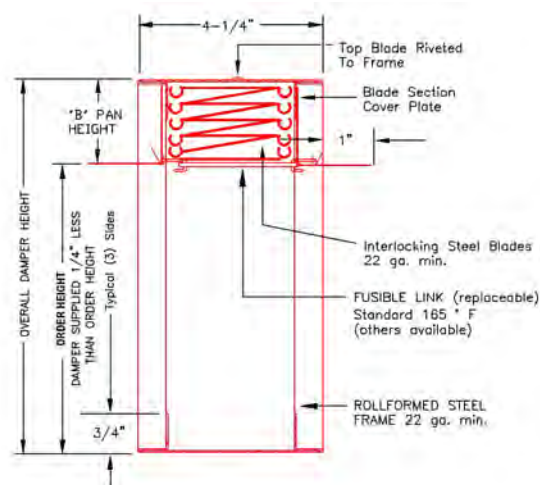
	Single Section		Multiple Section
	Minimum Size (WxH)	Maximum Size (WxH)	Maximum Size (WxH)
Vertical	4"x3"	60"x53"	120"x53"
Horizontal	4"x5"	60"x53"	NA



Model: 75BH
(Horizontal Mount)



Model: 75BV
(Vertical Mount)



WebREPS
1-800-810-3280

Note:
*Please see "B" PAN Sizing Chart for the "B" PAN Height.

Damper supplied 1/4" less than order Width and Height.

